

GE
Lighting Solutions

Flood Lighting

PF-400™ Powerflood™ (PF4S & PF4T)



imagination at work

Product Features

GE floodlights bring the security and safety of high quality illumination to a variety of outdoor areas. With a great look, performance and durability, these fixtures offer versatility while meeting your outdoor lighting requirements.

Applications

- Parking lots, building security, building facade, shipping yards, rail yards, and many more floodlighting applications
- Engineered for situations requiring high performance and varied optics

Housing

- Die-cast aluminum housing with polyester powder paint finish

Finish

- Polyester powder paint finish

Ratings

-  /  Listed Suitable for Wet Locations

Reflectors

- Formed aluminum reflector with ALGLAS™ finish

Unique Features

- Enclosed, gasketed and activated charcoal filtered optical assembly
- Heavy duty steel trunnion with degree indicator
- Built-in "Sight-Track", quick aiming sight
- Tray mounted ballast available
- Heat and shock resistant tempered glass lens
- Front access via hinged/removable door
- Corrosion-resistant external hardware
- Terminal board
- Mogul base socket – E39 standard

Ordering Number Logic

PF-400™ Powerflood™ (PF4S & PF4T)



PROD. ID	WATTAGE	LIGHT SOURCE	VOLTAGE	BALLAST TYPE	PE FUNCTION	NEMA TYPE BEAM SPREAD HORIZ X VERT	COLOR	OPTIONS
PF4S = PF-400 Standard PF4T = PF-400 with Tray Mounted Ballast NOTE: 200-400W Mag-Reg not available on tray.	15 = 150 17 = 175 20 = 200 24 = 250/ 400* 25 = 250 32 = 320 35 = 350 40 = 400 *Connected for 250W (HPS only)	E = Energy Act Compliant Pulse MH (EPMH) M = MH P = PMH S = HPS Standard: Lamp not included.	60Hz 0 = 120/208/240/277 Multivolt 1 = 120 2 = 208 3 = 240 4 = 277 5 = 480 C = 120X240X277V D = 347 F = 120X347* T = 220 50Hz 6 = 220 R = 230 Y = 240 *Connected for 120V	See Ballast Selection Table A = Autoreg G = Mag-Reg with Grounded Socket Shell H = HPF Reactor or Lag K = Hot Restart (Must Order "P" Option) Non-UL M = Mag-Reg N = NPF Reactor or Lag P = CWI with Grounded Socket Shell	1 = None 2 = PE Receptacle NOTE: Receptacle connected same voltage as unit. Order PE Control separately.	Select NEMA Type from Photometric Selection Table Example: 6X6 = 6X6	DB = Dark Bronze (Standard) GR = Gray	B = Time Delay Automatically Switched Quartz F = Fusing (Not available with multivolt or 120X347V) G = Top Trunnion J = Line Surge Protector, Expulsion Type PF4S only (UL not available) K = Knuckle Slipfitter for 1.9-in. to 2.38-in. (48-60 mm) OD Tenon L = Latch for door P = Prewired with 6 ft (2 meters) #14/3 S = Knuckle Slipfitter for 1.9 to 3.0 in. (48-76mm) OD Tenon V = Knuckle Wall Mount Y = Dual Wattage Units Connect Higher Wattage

Ballast Selection Table

Wattage	Light Source	Ballast Type/Voltage				50Hz		
		60Hz	Canada 120, 208 240, 277 480	Only 347, 120X347	220	220	230	240
150 (55V)	HPS	H	H, M*	H	N/A	M	N/A	N/A
200	HPS	A, M	A, M	N/A	A	A	A, H, N	A
250	HPS	A, M, G	A, M, G	A	A	A	A, H, N	A
250/400	HPS	A	A	N/A	N/A	N/A	N/A	N/A
400	HPS	A, M	A, K, M	A	A	A, H, N	H	A, H, N
175, 250, 400	MH	N/A	N/A	A	N/A	N/A	N/A	N/A
175, 250, 320, 350, 400	EPMH	A	A	A	N/A	N/A	N/A	N/A

NOTES: N/A = Not Available

*For 150W HPS, 480V use A or M ballast only.

**When using PMH lamps in vertical socket position, confirm that universal lamp or correct orientation for lamp is used.

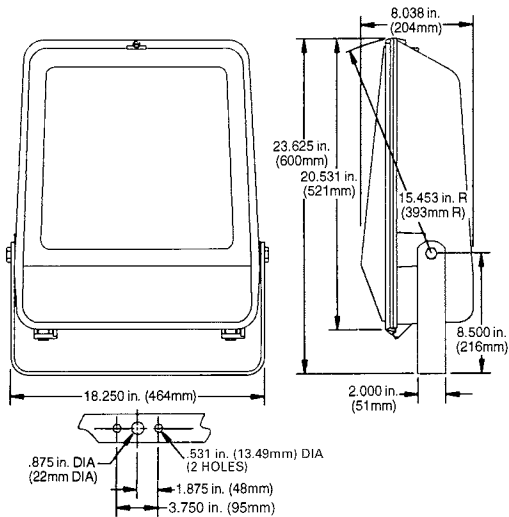
Photometric Selection Table

All light sources are clear unless otherwise indicated.

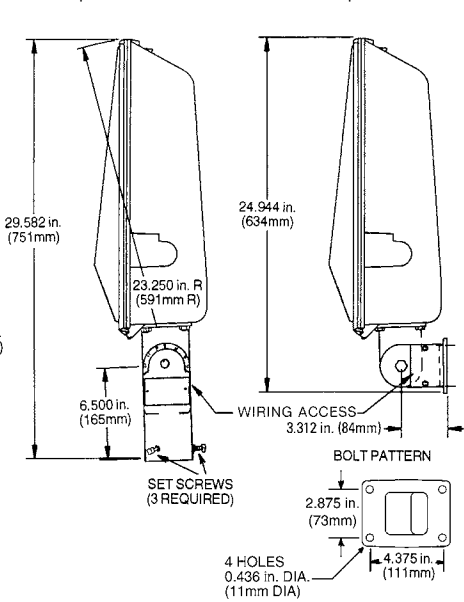
Wattage	Light Source	NEMA Type Beam Spread		Photometric Curve Numbers 35-
		Horizontal X Vertical (Degrees)		
Lamp Orientation		Vertical**	Horizontal	
150 (55V)	HPS	7X6 (145X114) 6X6 (119X111)		178196
				177497
			3X2 (38x22)	177495
			4X2 (70X27)	177501
			4X4 (49X46)	177491
200, 250, 400	HPS	7X6 (154X126) 6X6 (127X119)		177632
				177481
			6X5 (114X92)	177699
			6X4 (101X67)	177487
			5X4 (82X63)	177473
175, 250, 320	EPMH, MH	6X6 (114X113)	3X2 (38X17)	177494
			4X4 (50X47)	177490
			4X2 (64X23)	177500
				177496
				177478
400, 350	EPMH, MH	7X6 (131X110)	6X5 (109X80)	177484
			4X4 (55X55)	177470
			3X2 (31X24)	177474

Product Dimensions

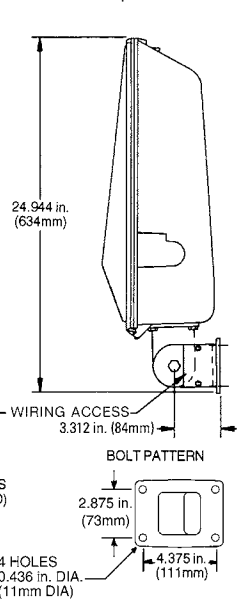
TRUNNION MOUNTED
(Standard)



SLIPFITTER MOUNTED
(Options K or S)



WALL MOUNTED
(Option V)



DATA

- Approximate Net Weight: 45 lbs (20 kgs)
- Effective Projected Area: 1.5 sq ft max (.14 sq M max)
- Suggested Mounting Height: 20-60 ft (6-18 M)



GE Lighting Solutions • 1-888-MY-GE-LED • www.gelightingsolutions.com

1-888-69-43-533

GE Lighting Solutions, LLC is a subsidiary of the General Electric Company. The GE brand and logo are trademarks of the General Electric Company.
© 2012 GE Lighting Solutions, LLC. Information provided is subject to change without notice. All values are design or typical values when measured under laboratory conditions.